

NCLG-200C

Dual Gigabit Ethernet Flächenkamera
NCLG-200C color /

*Dual Gigabit Ethernet matrix camera
NCLG-200C color*

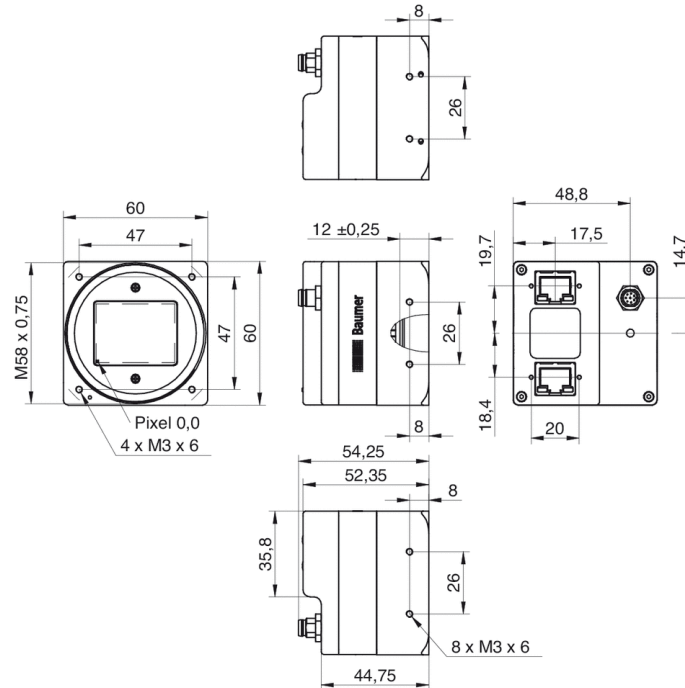


Technische Beschreibung / Specification

Chip / Sensor:	CMOSIS CMV20000
Anzahl Pixel / Number of pixels:	5120 x 3840 pixels
Pixelgröße / Pixel size:	6,4 µm x 6,4 µm
Chipgröße / Scan area:	32,768 mm x 24,576 mm
Optikadapter / Optical interface:	M58-Mount (F-Mount, M42, C-Mount via Adapter)
Bildwechselfrequenz / Frame rate:	Full Frame, max. 12,0 fps
Spannungsversorgung / Voltage feed:	M8 / 8 pins
Leistungsaufnahme / Power drain:	~ 7,2 W @ 24 VDC and 11 fps ~ 6 W @ 48 VDC (PoE) and 11 fps
Anschluss f. Daten, Steuerung / Data, control interface:	Dual Gigabit Ethernet, Übertragungsrate 2000 Mbits/sec; Steckverbinder 2x 8P8C Modular Jack (RJ45), verschraubbar / <i>Dual Gigabit Ethernet, Transfer rate 2000 Mbits/sec; Connector 2x 8P8C Modular Jack (RJ45), screwable type</i>
Trigger / Trigger:	$U_{IN(low)} = 0.0 \dots 4,5 \text{ VDC}$ $U_{IN(high)} = 11,0 \dots 30,0 \text{ VDC}$ $I_{IN} = 6,0 \dots 10 \text{ mA}$ min. Impulse Length: 2,0 µsec Trigger Delay out of treadout: 4,0 µsec Max. Trigger Delay during treadout: 30,0 µsec
Blitz / Flash:	$U_{EXT} = 5 \dots 30 \text{ V DC}$ $I_{OUT} = \text{max. } 50 \text{ mA}$
Abmessungen / Dimensions:	60 x 60 x 54,25 mm (M58-Mount)
Gewicht / Weight:	≤ 290 g (M58-Mount)

NCLG-200C

Technische Zeichnung / Technical drawing



Pinbelegung Elektrische Anschlüsse / Pin assignment electrical interfaces

Data / Control
1000 Base-T (Port 1)
wire colors of the connecting cable



1	green/white	MX1+
2	green	MX1-
3	orange/white	MX2+
4	blue	MX3+
5	blue/white	MX3-
6	orange	MX2-
7	brown/white	MX4+
8	brown	MX4-

Data / Control
1000 Base-T (Port 2)
wire colors of the connecting cable



1	green/white	MX1+
2	green	MX1-
3	orange/white	MX2+
4	blue	MX3+
5	blue/white	MX3-
6	orange	MX2-
7	brown/white	MX4+
8	brown	MX4-

Power Supply / Digital-IO

M8 / 8 pins wire colors of the connecting cable



1	white	OUT 3
2	brown	Power VCC+
3	green	IN 1
4	yellow	IO GND
5	grey	IO Power VCC
6	pink	OUT 1
7	blue	Power GND
8	red	OUT 2